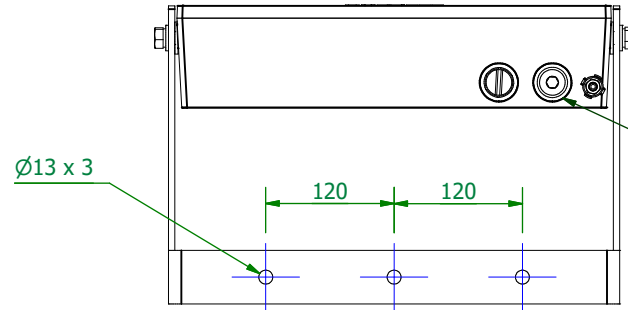
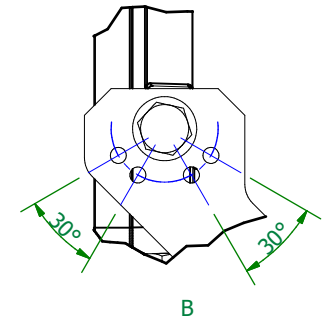
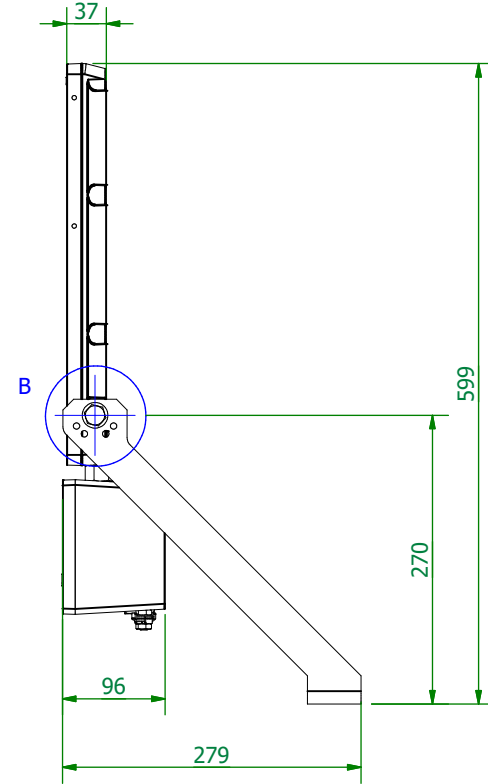
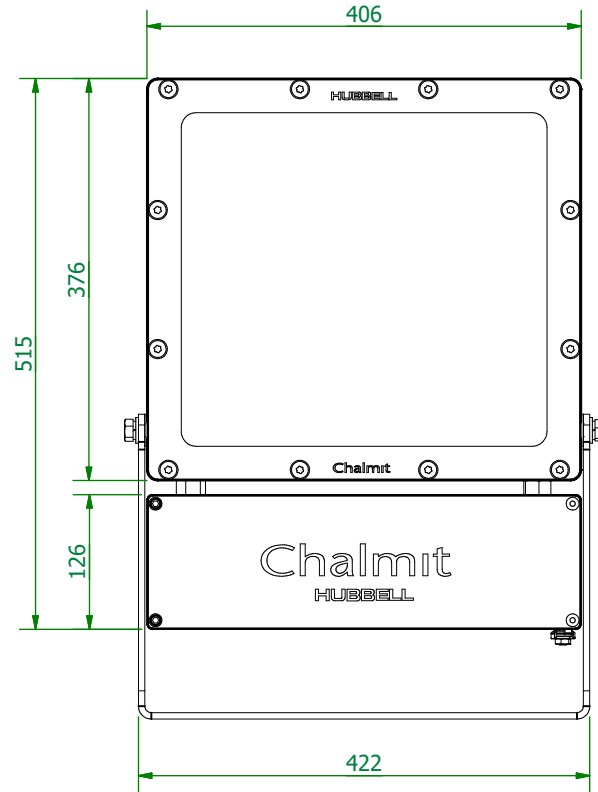
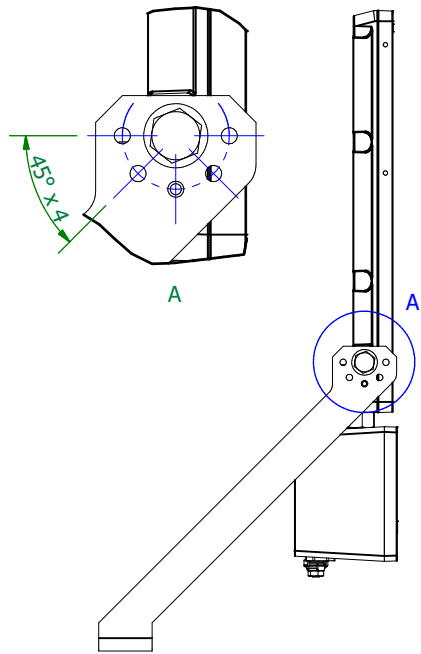
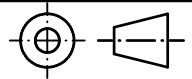


STIRRUP MOUNT

THIS DRAWING IS THE PROPERTY OF HUBBELL LTD AND CONTAINS CONFIDENTIAL AND COPYRIGHTED INFORMATION. ANY COPYING, USE OR DISCLOSURE OF THIS DRAWING, OR THE INFORMATION THEREIN, WITHOUT PERMISSION IS STRICTLY FORBIDDEN.



IF IN DOUBT, ASK

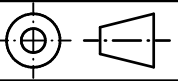
DEBURR AND REMOVE SHARP EDGES	
Material	
Finish	
References (Old Drgs)	



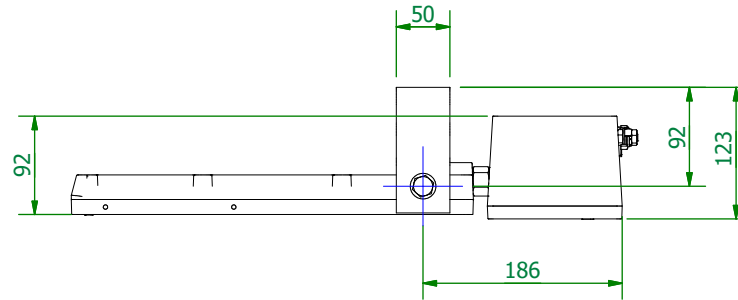
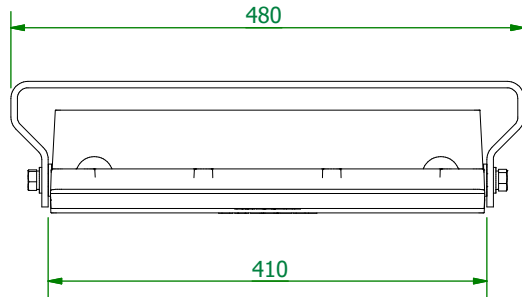
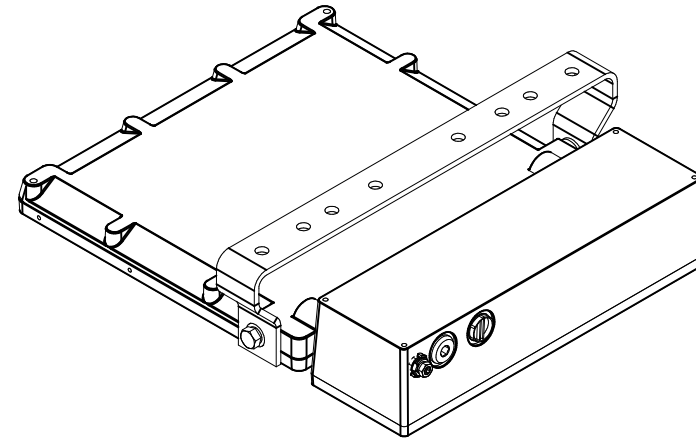
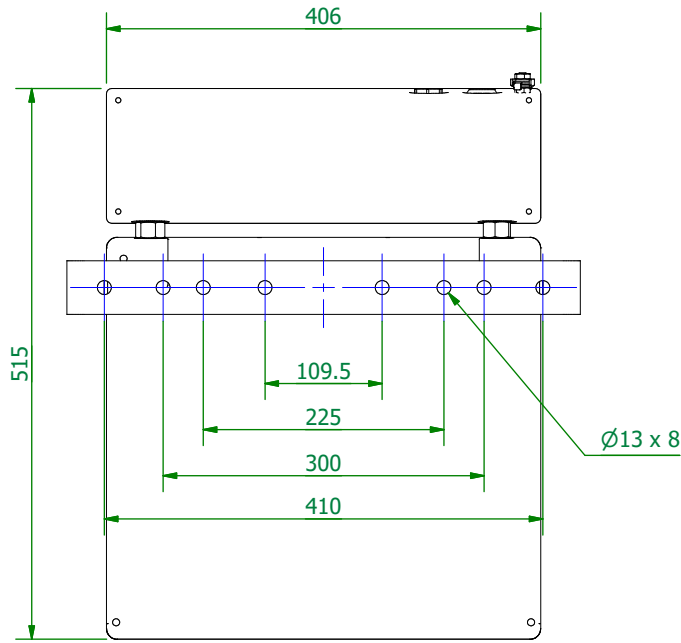
PO Box 5575
Glasgow G52 9AP
Scotland
Tel: +44 (0) 141 882 5555
Fax: +44 (0) 141 883 3704
www.chalmit.com

-		ORIGINAL ISSUE		-		-		30/07/2020		
CR No.	Change description							Rev.	Initials	Date
Scale	Drawn by idachlan		Chkd / App'd by XXX		Cert App'd by					
N.T.S.	Date 30/07/2020		Date		Date					
Unless stated otherwise: Dimensions in: mm			Title Evolution X LED Technical Drawing							
Tolerances: Linear ± 0.2 Angular ± 0.5°			Drawing Number H049716		Stock Number					
Surface Finish: 1.6√			0		Revision		Sheet number 1 / 2			

THIS DRAWING IS THE PROPERTY OF HUBBELL LTD AND CONTAINS CONFIDENTIAL AND COPYRIGHTED INFORMATION. ANY COPYING, USE OR DISCLOSURE OF THIS DRAWING, OR THE INFORMATION THEREIN, WITHOUT PERMISSION IS STRICTLY FORBIDDEN.



PENDANT MOUNT



IF IN DOUBT, ASK

DEBURR AND REMOVE SHARP EDGES
Material
Finish
References (Old Drgs)



PO Box 5575
Glasgow G52 9AP
Scotland
Tel: +44 (0) 141 882 5555
Fax: +44 (0) 141 883 3704
www.chalmit.com

-	ORIGINAL ISSUE	-	-	30/07/2020
CR No.	Change description		Rev.	Initials
Scale	Drawn by idachlan	Chkd / App'd by XXX	Cert App'd by	
N.T.S.	Date 30/07/2020	Date	Date	
Unless stated otherwise: Dimensions in: mm		Title Evolution X LED Technical Drawing		
Tolerances: Linear ± 0.2 Angular ± 0.5°		Drawing Number H049716	Stock Number	
Surface Finish: 1.6√		Revision 0	Sheet number 2 / 2	